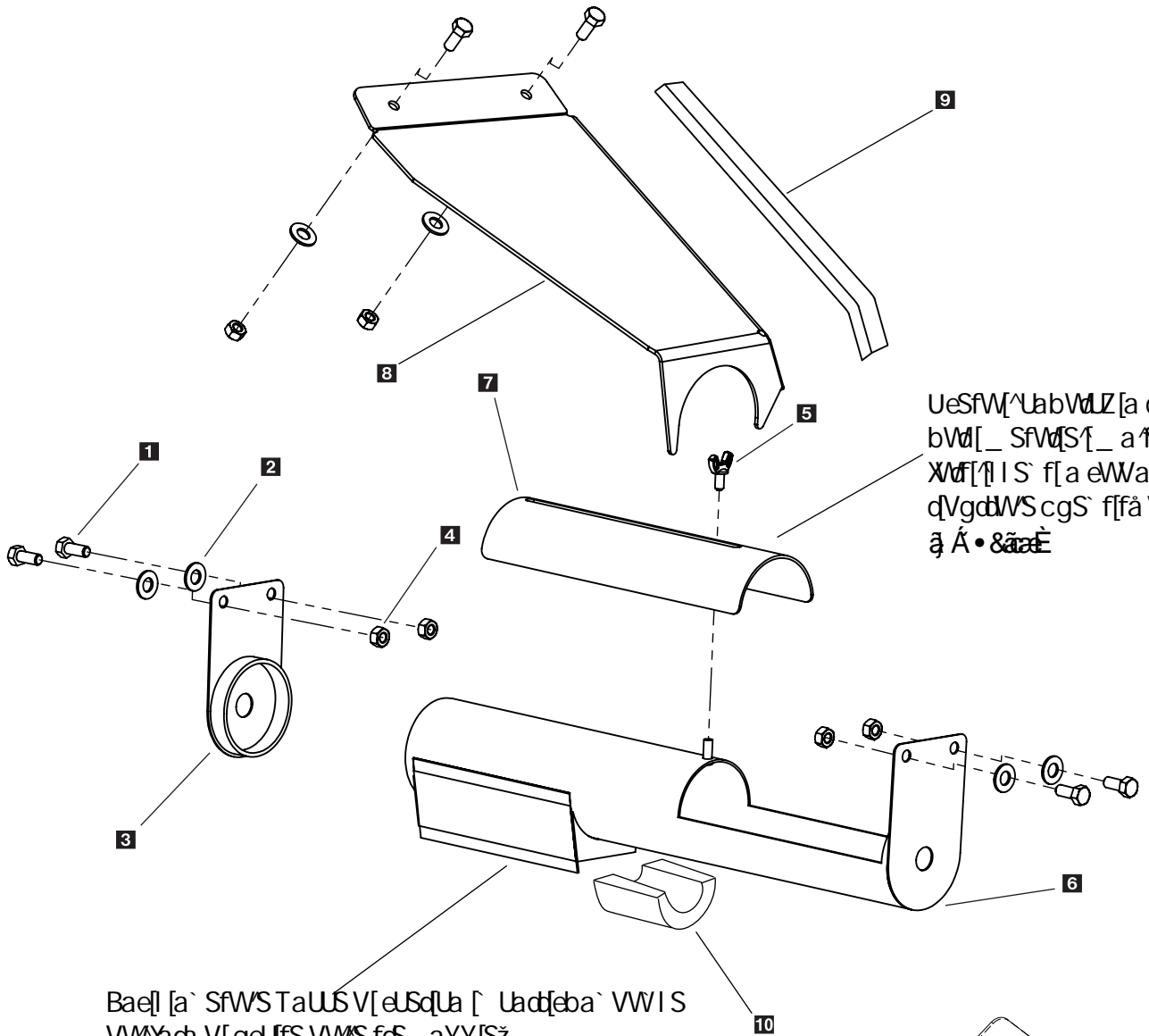


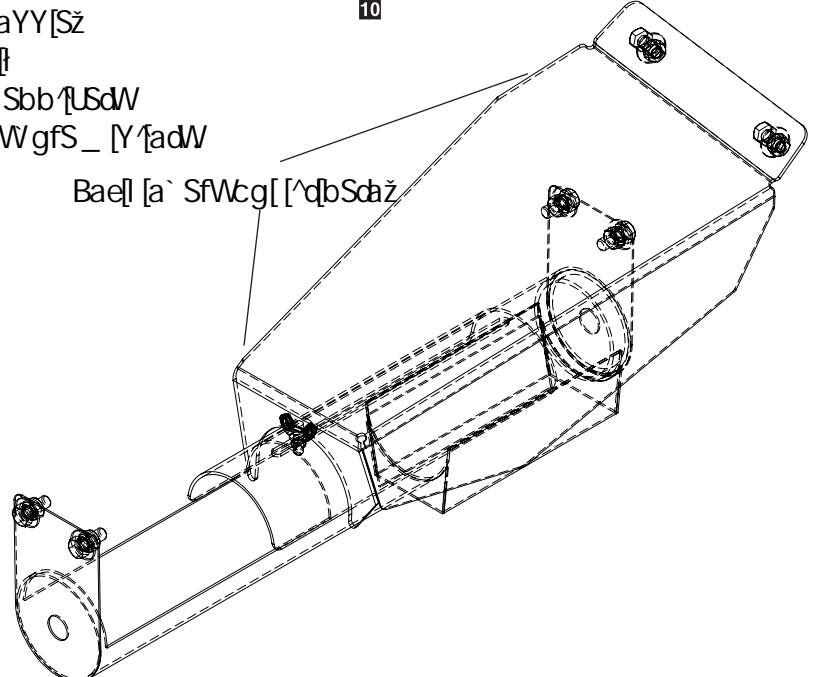
Ö.] | [ • [



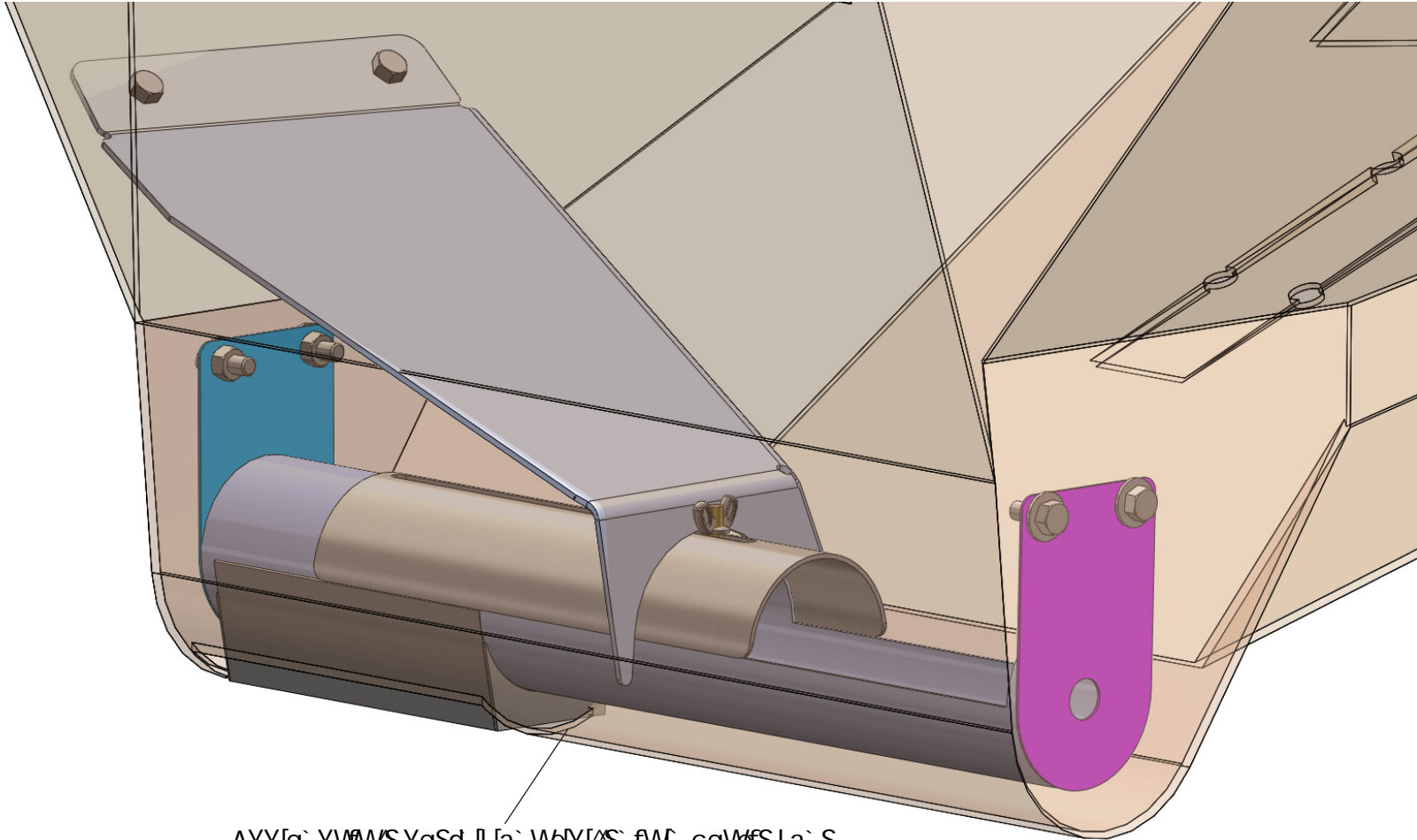
UeSfW[^labVdLZ[a dV'a^ST[W  
 bVd[\_ SfVd[S^\_ a'fa X [La\_ W  
 XWf[|I S f[a dWahVWV  
 dVgdVWScgS` f[fã V[\_ SfVd[S^W  
 a`Á•8ããÈ

Bae| [a` SfWSTaUUSV[eUSd[La [ Uad[eba` VWIS  
 VWXaca V[geU[FS VWS foS\_ aYY[Sz  
 EWgeSfW\_ SfVd[S^\_ a'fa X [I  
 bafdTWWeVW VWeSca Sbb^UdW  
 VWe[La` WbVdUdWdVg` S fWgfS\_ [Y^adW

Bae| [a` SfWcg[ [^dbSchz



0.1



Material Baffle

Part No.	Description	Qty.
1	D 6132 5/16-18 X 3/4 SS HH	6
2	T 15014 5/16 Flat Washer SS	6
3	D 5957 End Cap	1
4	T 15016 5/16 -18 Nylock Nut	6
5	D 5583 1/4-20 Wing Nut SS	1
6	D 5954 Auger Tube	1
7	D 5958 Gate Cover	1
8	D 5989 Material Baffle	1
9	T 30008 Baffle Rubber Seal (36")	1
10	T 30012 1-1/4" Foam W/Adhesive (18")	1